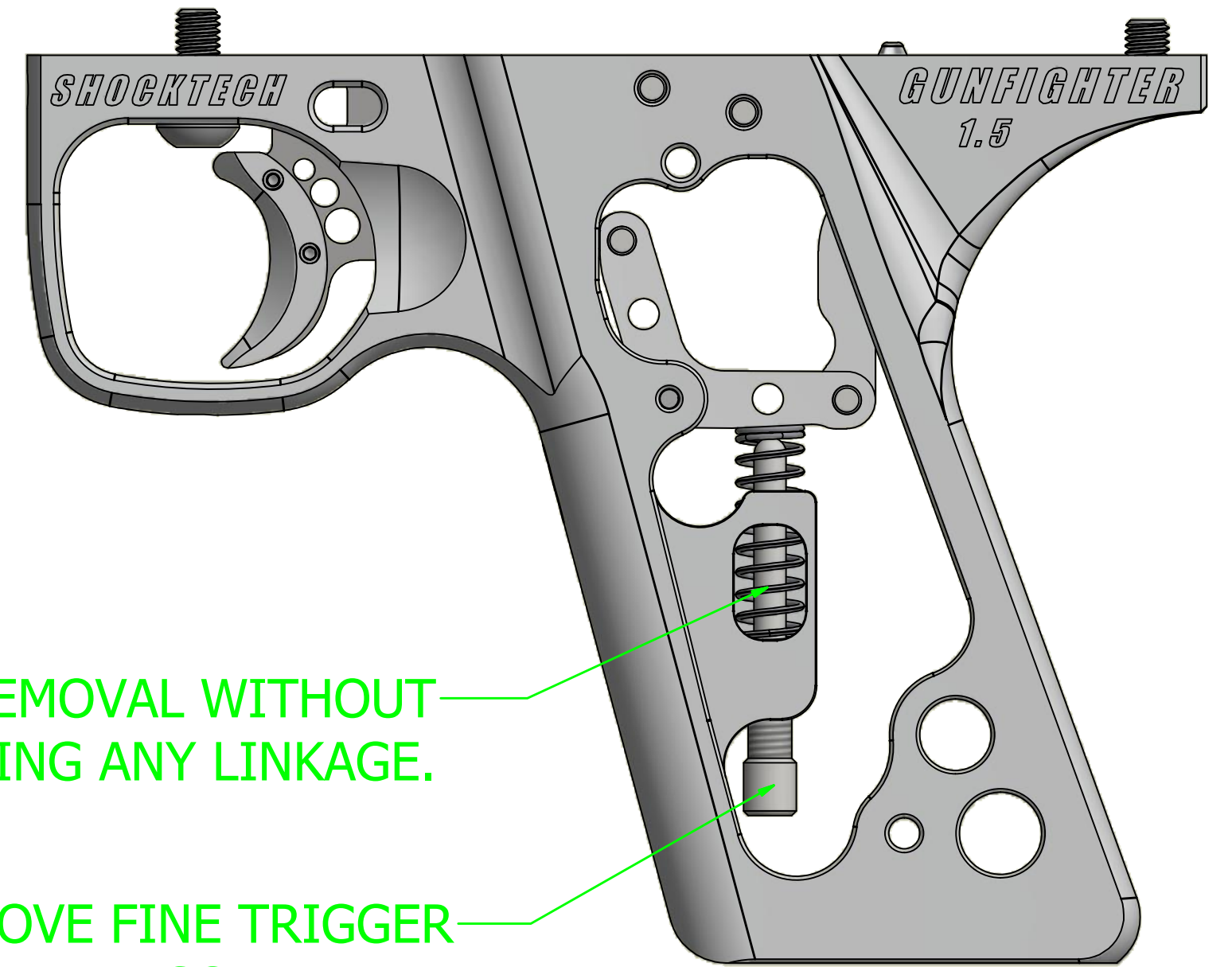
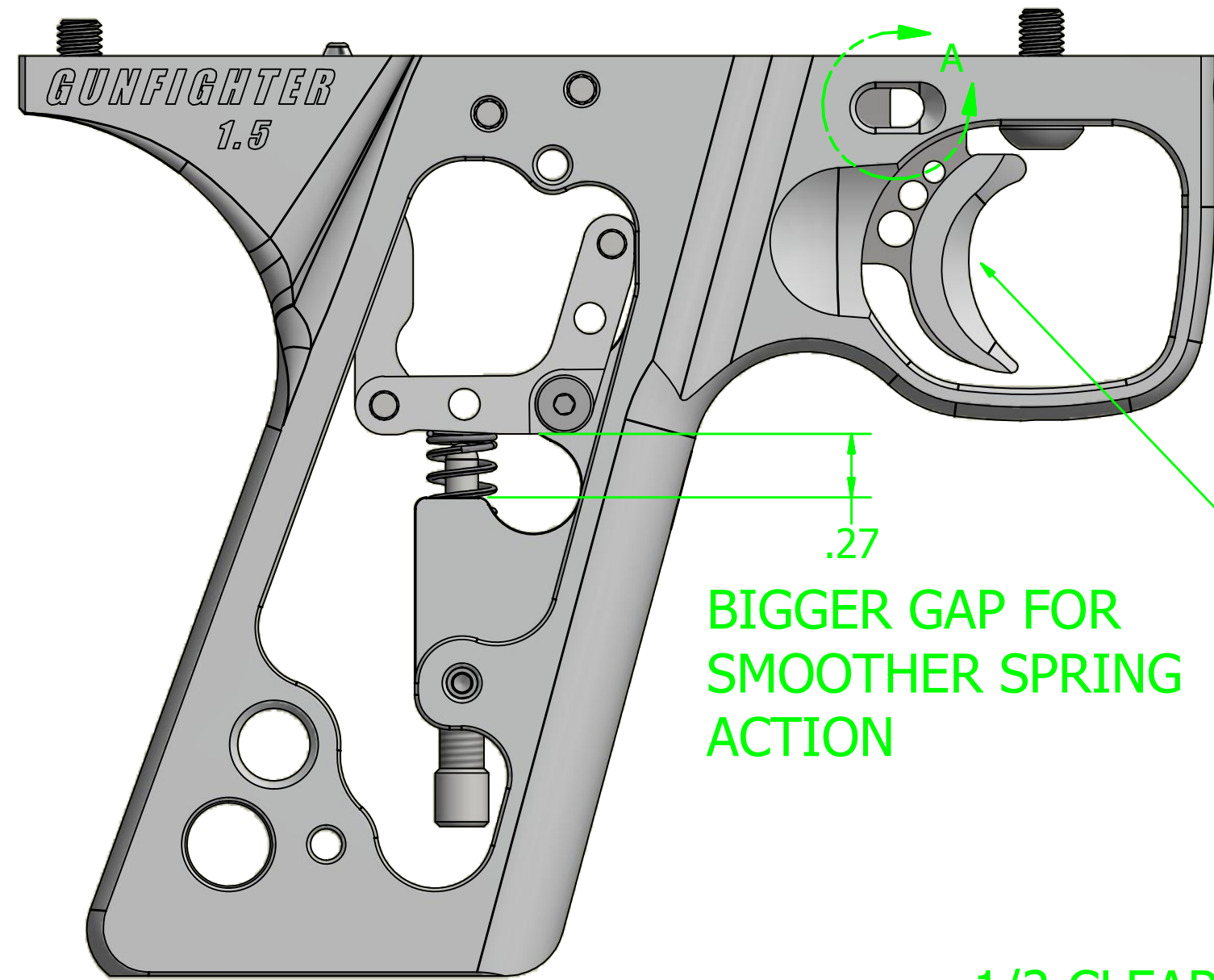


GUNFIGHTER 1.5 WHAT'S NEW



1/2 CLEARANCE HOLE FOR MACHINING PURPOSES

