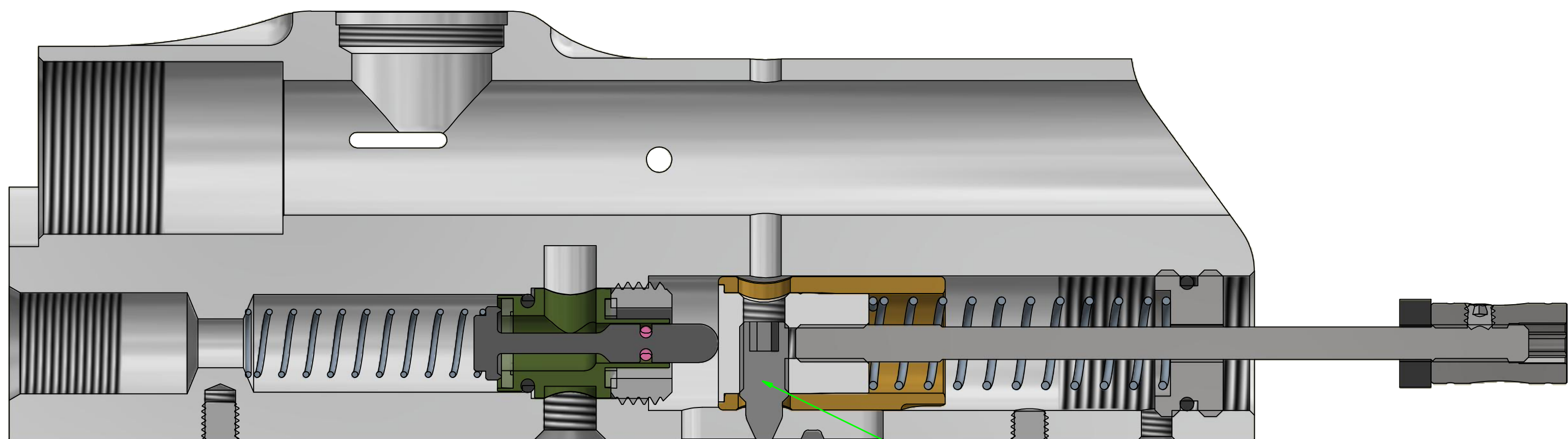
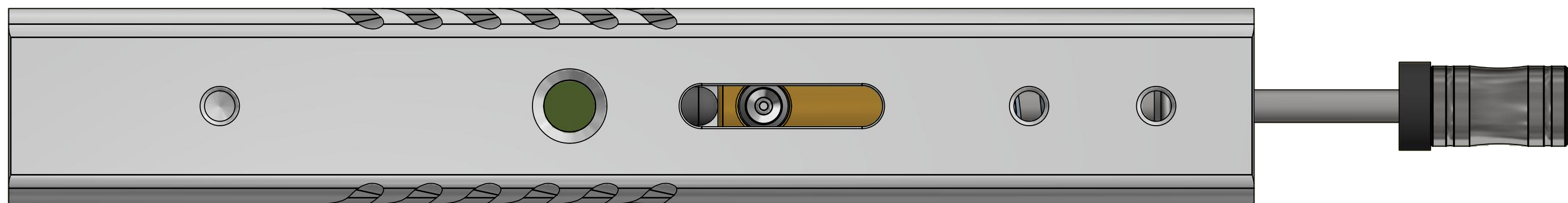
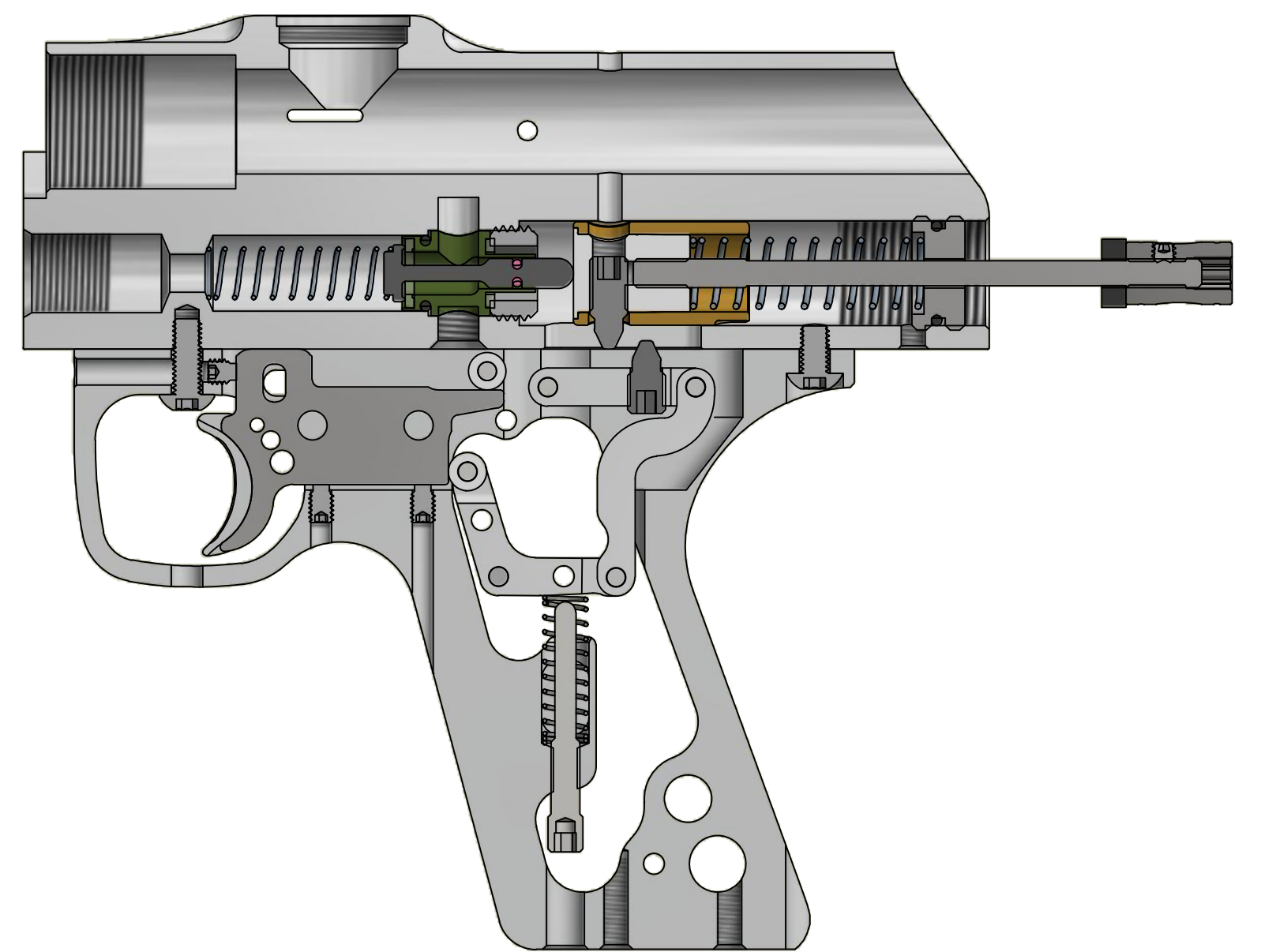


GUNFIGHTER 1.5 HAMMER COCKING LUG INSTALLATION

REMOVE OLD HAMMER LUG FROM
HAMMER AND INSTALL NEW
SHOCKTECH LUG IN HAMMER.
INSTALL HAMMER IN GUN BODY.
PLACE BOTTOM OF BODY ON A
FLAT SURFACE. SCREW LUG IN UNTIL
IT MAKES CONTACT WITH FLAT SURFACE.
THE TIP OF THE LUG SHOULD BE FLUSH
WITH THE BOTTOM OF THE GUN BODY.



BOTTOM OF GUN BODY

NEW HAMMER LUG